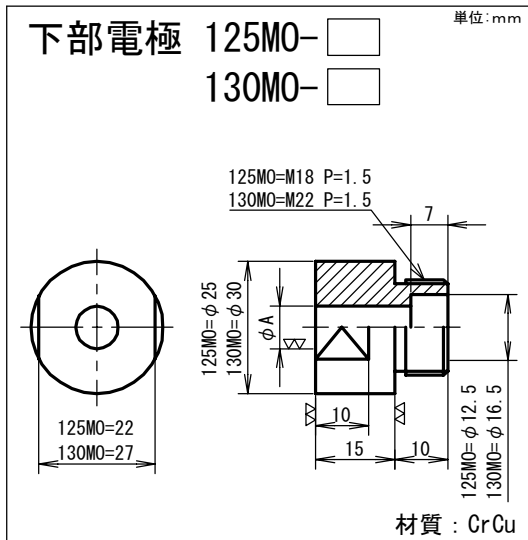




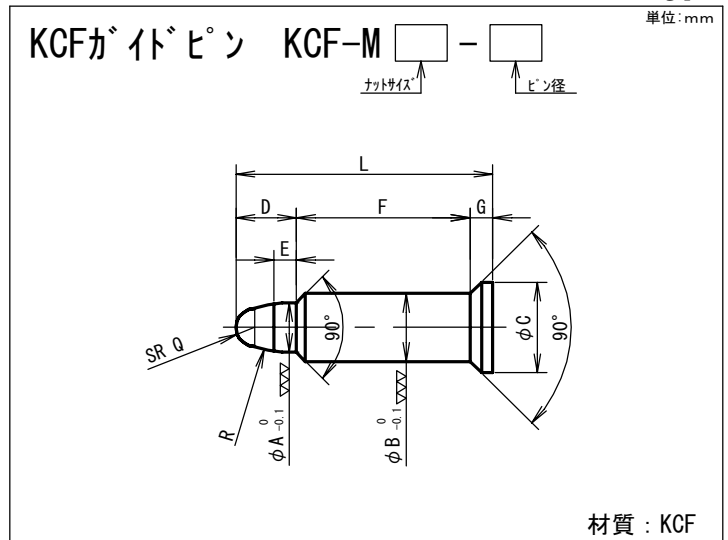
ELECTRODERS FOR PROJECTION WELDING NUTS

プロジェクションナット電極

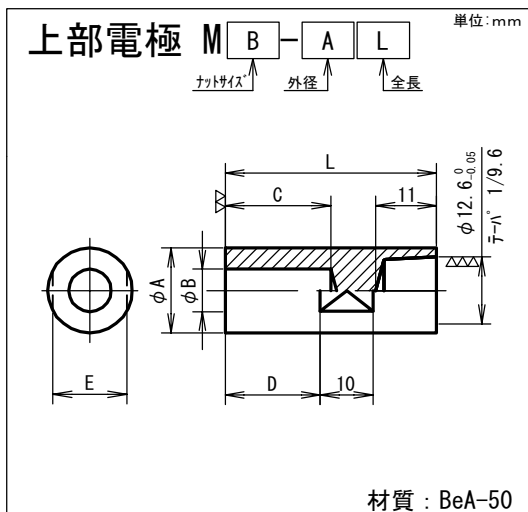
standard type



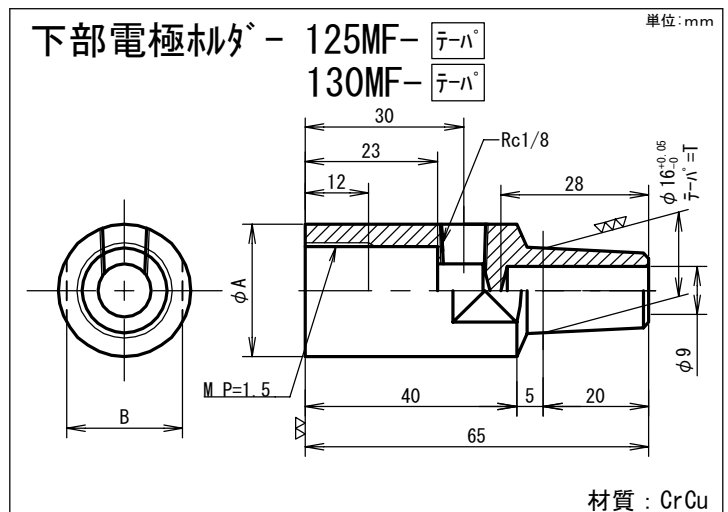
| CDNo. | 規格 | A |
|--------|-----------------|------|
| AA0001 | 下部電極 125MO-14K | 4.9 |
| AA0002 | 下部電極 125MO-14 | 5.1 |
| AA0003 | 下部電極 125MO-15K | 5.9 |
| AA0004 | 下部電極 125MO-15 | 6.1 |
| AA0017 | 下部電極 125MO-16M | 6.6 |
| AA0005 | 下部電極 125MO-16K | 6.9 |
| AA0006 | 下部電極 125MO-16 | 7.1 |
| AA0007 | 下部電極 125MO-18K | 8.9 |
| AA0008 | 下部電極 125MO-18 | 9.1 |
| AA0009 | 下部電極 130MO-110K | 10.9 |
| AA0010 | 下部電極 130MO-110 | 11.1 |
| AA0011 | 下部電極 130MO-111K | 11.9 |
| AA0012 | 下部電極 130MO-111 | 12.1 |
| AA0013 | 下部電極 130MO-112K | 12.9 |
| AA0014 | 下部電極 130MO-112 | 13.1 |



| CDNo. | 規格 | A | B | C | D | E | F | G | R | Q | L |
|--------|--------------|------|------|----|----|-----|----|---|------|-----|----|
| 331011 | KCF-M4-4.8 | 3.2 | 4.8 | 10 | 5 | 2 | 22 | 4 | 9 | 2.5 | 31 |
| 331012 | KCF-M4-5.0 | | 5.0 | | | | | | | | |
| 331013 | KCF-M5-5.8 | 4.1 | 5.8 | 10 | 6 | 2.5 | 22 | 4 | 13.3 | 3 | 32 |
| 331014 | KCF-M5-6.0 | | 6.0 | | | | | | | | |
| 331015 | KCF-M6-6.5 | | 6.5 | | | | | | | | |
| 331016 | KCF-M6-6.8 | 4.9 | 6.8 | 10 | 7 | 2.5 | 22 | 3 | 15.5 | 3.5 | 32 |
| 331017 | KCF-M6-7.0 | | 7.0 | | | | | | | | |
| 331018 | KCF-M8-8.8 | 6.6 | 8.8 | 12 | 8 | 3 | 23 | 3 | 17.5 | 5 | 34 |
| 331019 | KCF-M8-9.0 | | 9.0 | | | | | | | | |
| 331020 | KCF-M10-10.8 | 8.5 | 10.8 | 15 | 10 | 3.5 | 24 | 3 | 30.5 | 7 | 37 |
| 331021 | KCF-M10-11.0 | | 11.0 | | | | | | | | |
| 331022 | KCF-UNF-11.0 | | 11.0 | | | | | | | | |
| 331023 | KCF-UNF-11.8 | 9.7 | 11.8 | 16 | 12 | 4 | 24 | 3 | 37.5 | 8 | 39 |
| 331026 | KCF-UNF-12.0 | | 12.0 | | | | | | | | |
| 331024 | KCF-M12-12.8 | 10.4 | 12.8 | 16 | 12 | 4 | 24 | 3 | 41 | 9 | 39 |
| 331025 | KCF-M12-13.0 | | 13.0 | | | | | | | | |



| CDNo. | 規格 | A | B | C | D | E | L |
|--------|---------------|----|----|----|----|----|----|
| JB0001 | 上部電極 M4-1640 | 16 | 4 | 20 | 18 | 14 | 40 |
| JB0002 | 上部電極 M5-1640 | 16 | 5 | 20 | 18 | 14 | 40 |
| JB0003 | 上部電極 M6-1640 | 16 | 6 | 20 | 18 | 14 | 40 |
| JB0004 | 上部電極 M8-1640 | 16 | 8 | 20 | 18 | 14 | 40 |
| JB0005 | 上部電極 M10-2048 | 20 | 10 | 30 | 23 | 17 | 48 |
| JB0006 | 上部電極 M12-2548 | 25 | 12 | 30 | 23 | 22 | 48 |



| CDNo. | 規格 | A | B | M | T |
|--------|-----------------------------------|----|----|-----|------|
| AA1001 | 下部電極 [*] - 125MF-16 1/5 | 25 | 22 | M18 | 1/5 |
| AA1002 | 下部電極 [*] - 125MF-16 1/10 | 25 | 22 | M18 | 1/10 |
| AA1003 | 下部電極 [*] - 130MF-16 1/5 | 30 | 27 | M22 | 1/5 |
| AA1004 | 下部電極 [*] - 130MF-16 1/10 | 30 | 27 | M22 | 1/10 |